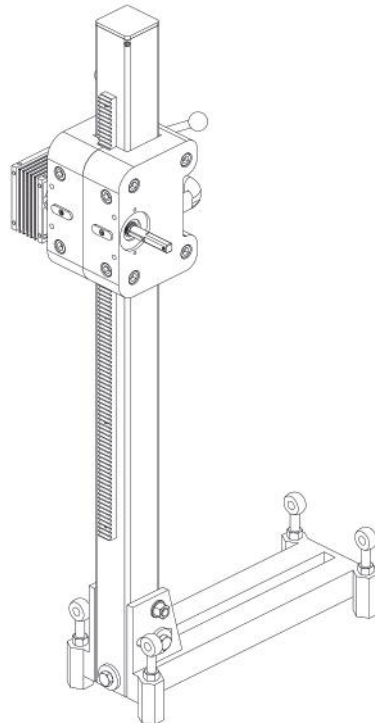


# Spare parts/Part lists

Drill rig

---

**BS 630N**

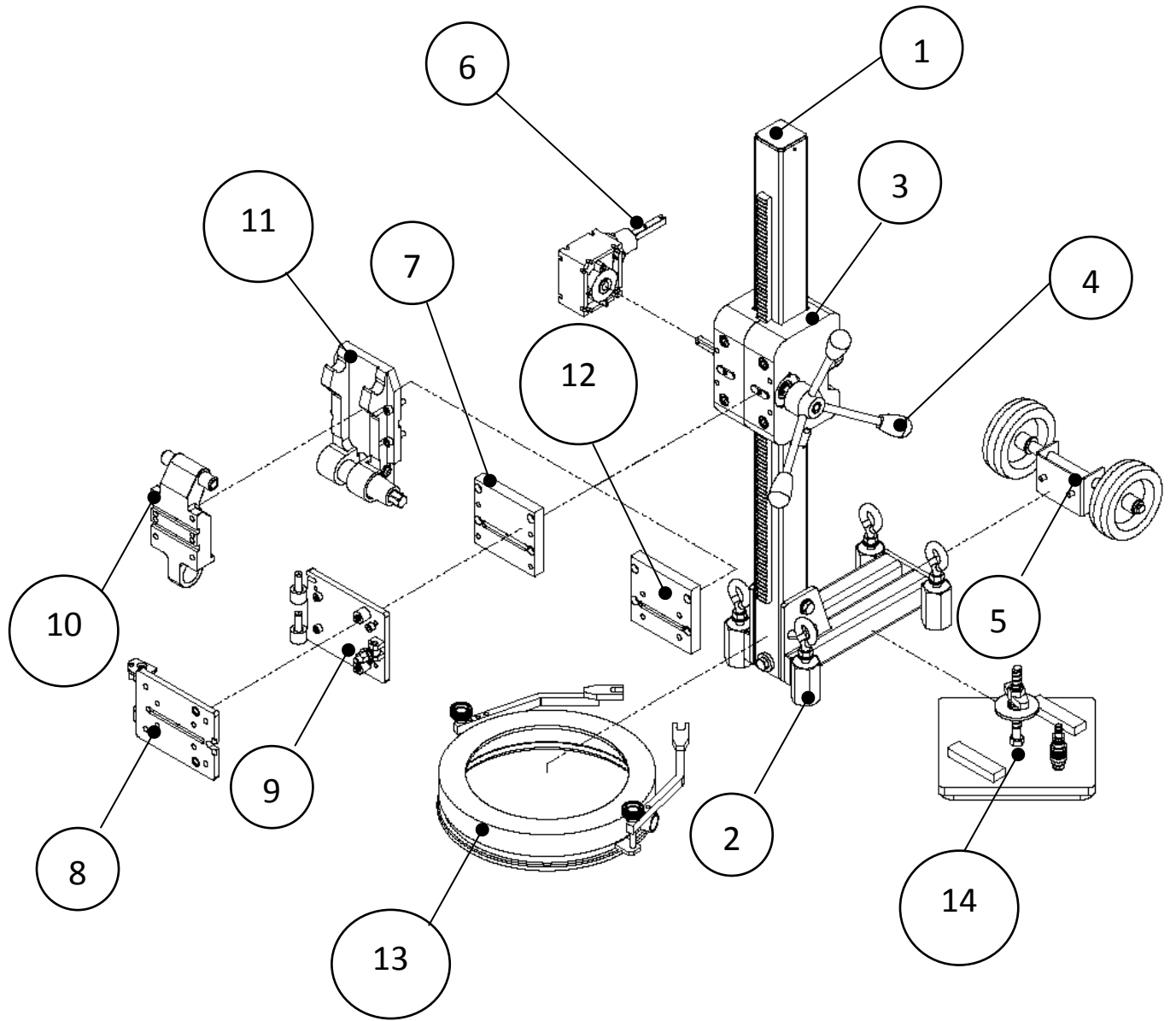


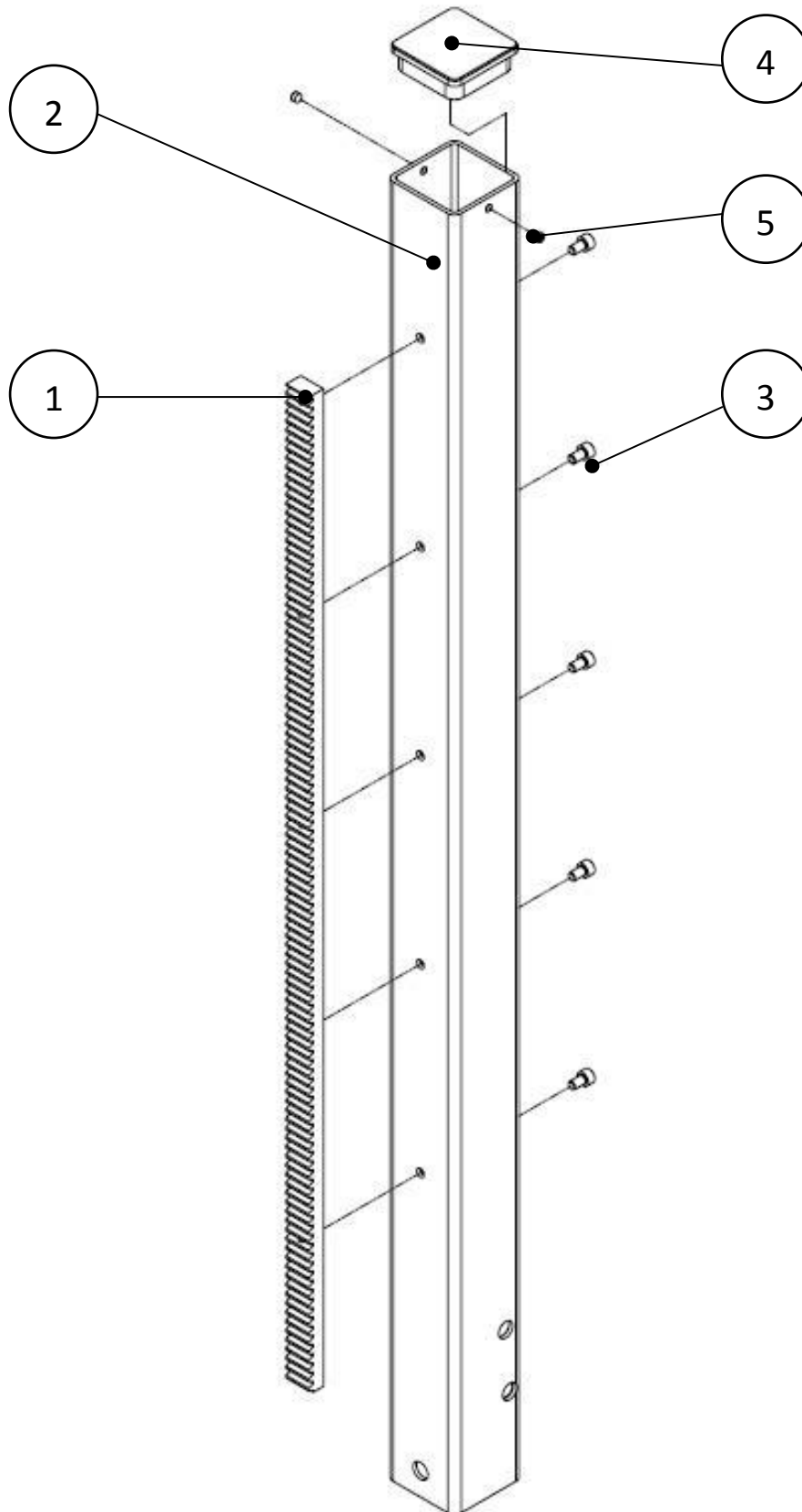
**KERN-DEUDIAM**  
Diamantwerkzeuge und Maschinen GmbH

Tel. +49 5257 507-0 Industriestraße 24  
Fax +49 5257 507-40 33161 Hövelhof  
kern-deudiam.de | info@kern-deudiam.de

## Baugruppenübersicht:

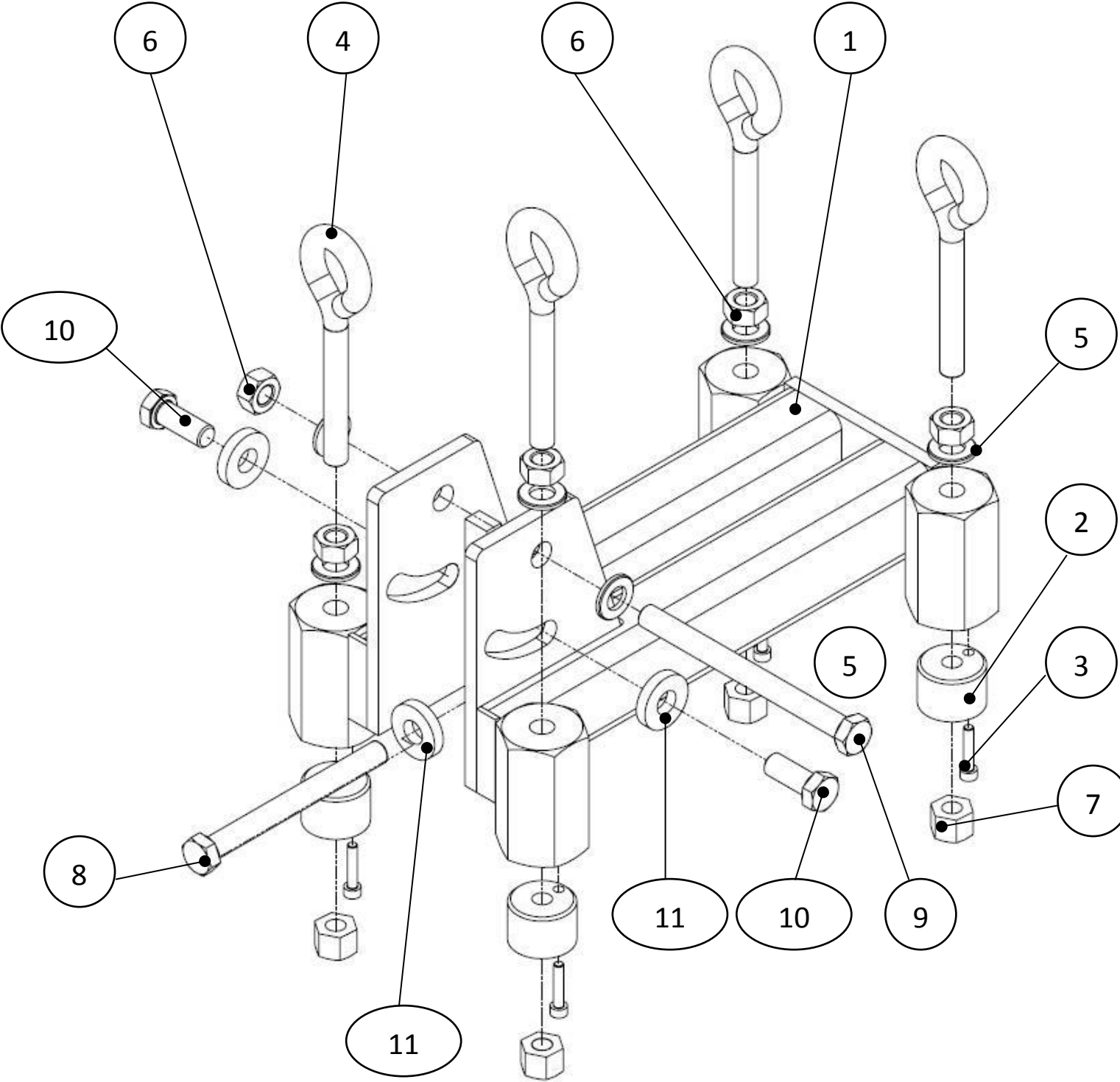
<b>Pos.-No.</b>	<b>Quantity</b>	<b>Ident-No.</b>	<b>Designation</b>
1	1	29994	guidance system
2	1	19553	dowel foot
3	1	29996	Carriage Y axis
4	1	19513	hand cross
	1	29486	operating manual
	1	30004	toolkit
 <b>Accessories:</b>			
5	1	19526	transport castors
6	1	30002	Fine feed FVS - MH
7	1	47273	Distance plate 20mm
8	1	19738	MSK 1 Motor plate
9	1	19734	MSK 1 stator plate
10	1	48555	MSK XXL motor plate
11	1	50071	MSK XXL stator plate
12	1	29426	Mounting plate 20mm
Not illustrated	1	29424	Mounting plate 60mm
13	1	46533	Water collecting ring Ø300
Not illustrated	1	52246	Water collecting ring Ø130
14	1	19659	vacuum plate





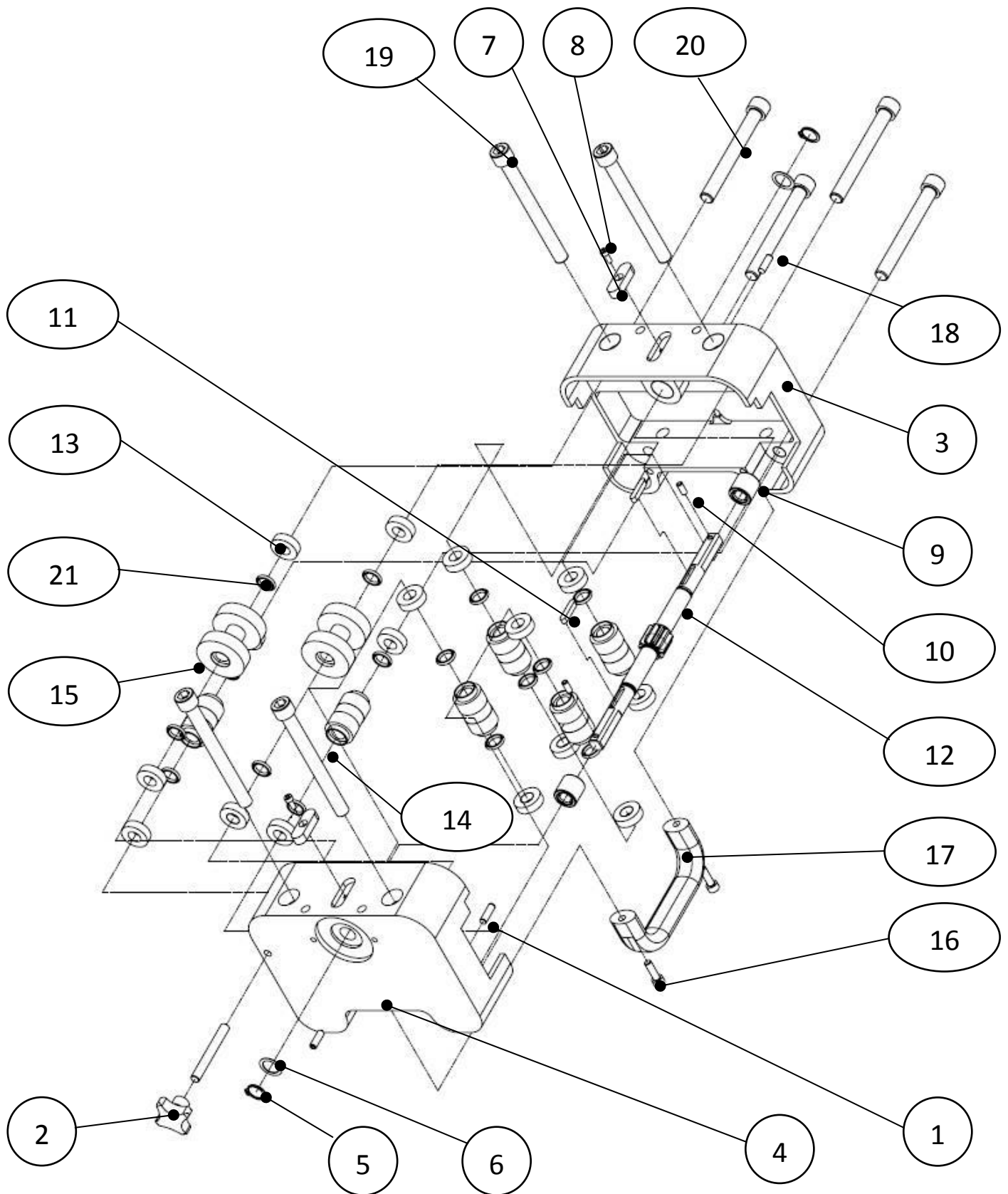
**Führungssystem****Ident-Nr.: 29994**

<b>Pos.-No.</b>	<b>Quantity</b>	<b>Ident-No.</b>	<b>Designation</b>
1	1	29735	Rack
2	1	29736	Core tube
3	1	13967	Cylindrical head screw
4	1	16226	Square cover
5	1	11613	Threaded pin



**Dübelfuß****Ident-Nr.:****19553**

<b>Pos.-No.</b>	<b>Quantity</b>	<b>Ident-No.</b>	<b>Designation</b>
1	1	23334	dowel foot
2	4	16381	alternate bushing
3	4	13956	cylindric head screw
4	4	14219	eyebolt
5	6	14377	disc
6	5	14907	hexagon nut
7	4	14922	capping nut
8	1	14197	hex bolt
9	1	14198	hex bolt
10	2	14151	hex bolt
11	3	14359	disc





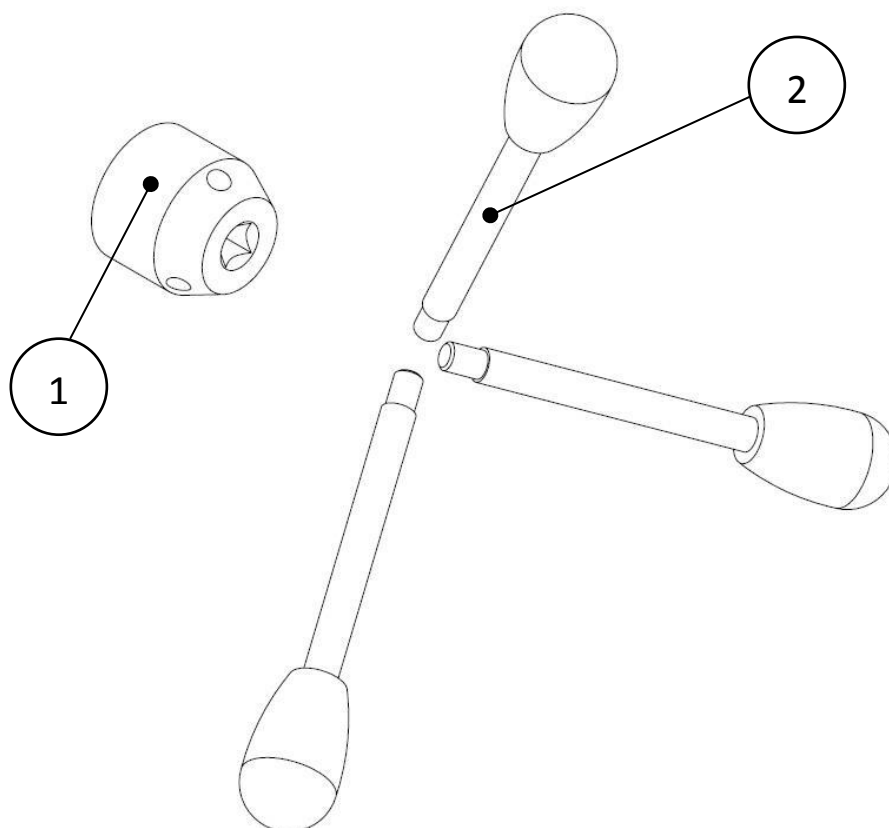
**Schlitten Y Achse****Ident-Nr.: 29996**

<b>Pos.-No.</b>	<b>Quantity</b>	<b>Ident-No.</b>	<b>Designation</b>
1	2	11545	cylindrical pin
2	1	14929	knurled nut
3	1	29734	housing half I
4	1	29733	housing half II
5	2	14588	circlip
6	2	14305	matching disc
7	2	29743	feather
8	2	13943	cylindrical head screw
9	2	29911	needle sleeve
10	2	14248	thrust pad
11	2	14825	feather
12	1	29720	pinion shaft
13	16	29732	thrust washer
14	6	29731	castor
15	2	29742	castor
16	2	13970	cylindrical head screw
17	1	29511	bow handle
18	2	11618	set screw
19	4	45535	axle
20	4	45534	axle
21	16	29055	O-Ring

**Handkreuz**

**Ident-Nr.:**

**19513**



<b>Pos.-No.</b>	<b>Quantity</b>	<b>Ident-No.</b>	<b>Designation</b>
1	1	16394	hub
2	3	16147	handle bar

**Werkzeugsatz**

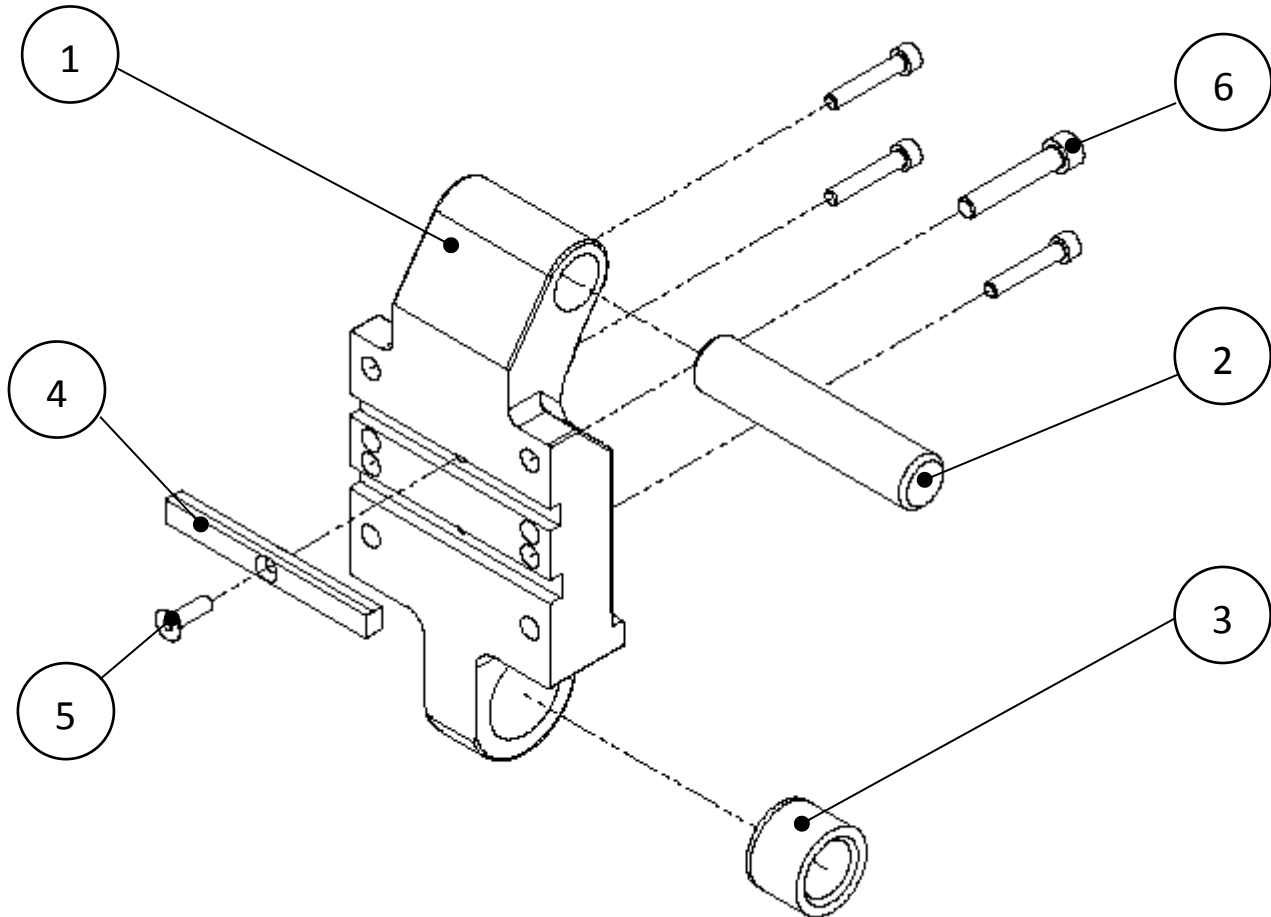
**Ident-Nr.: 30004**

<b>Pos.-No.</b>	<b>Quantity</b>	<b>Ident-No.</b>	<b>Designation</b>
	1	36111	tool bag
	1	10052	wrench open 19
	1	36021	allen key 6mm
	1	25050	allen key 5mm

# Motorplatte XXL

Ident-Nr.:

48555

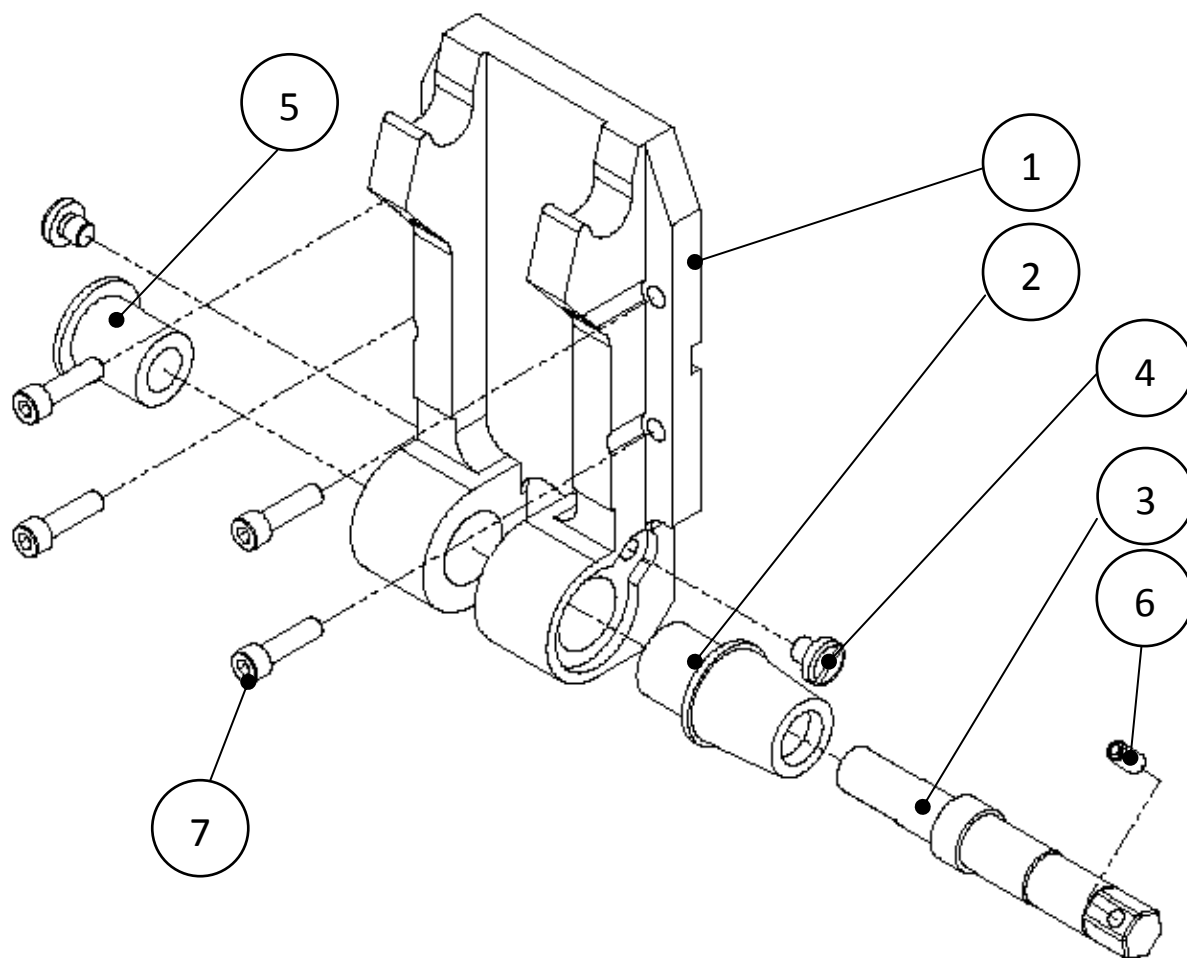


Pos.-No.	Quantity	Ident-No.	Designation
1	1	47865	Motor plate
2	1	47842	axle
3	1	47848	socket
4	1	48342	feather
5	1	14109	countersunk screw
6	4	13991	cylindrical head screw

# Ständerplatte XXL

Ident-Nr.:

50071

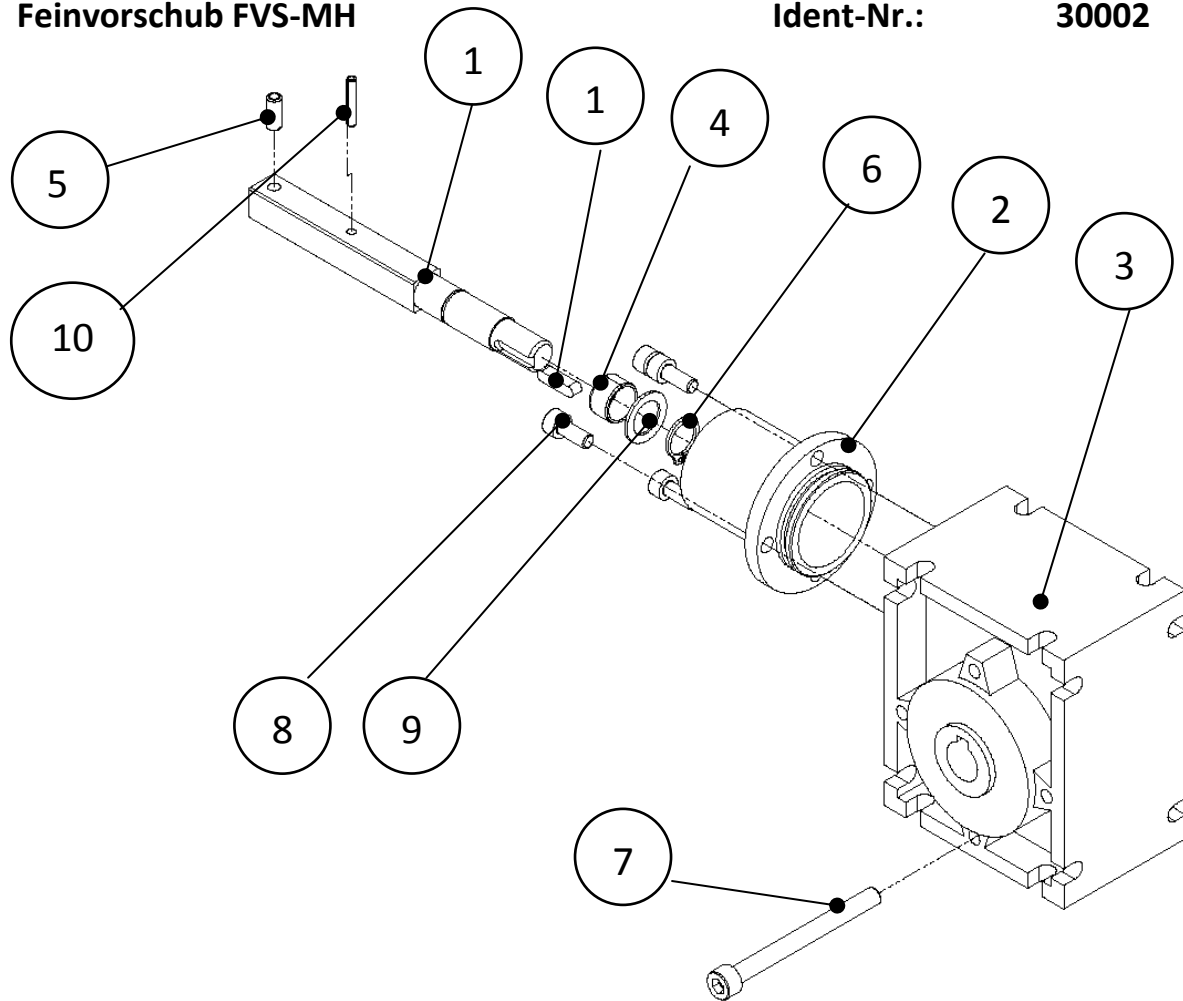


Pos.-No.	Quantity	Ident-No.	Designation
1	1	50070	Stator plate XXL
2	1	47845	socket
3	1	47851	eccentric shaft
4	2	47843	jack screw
5	1	47846	socket
6	1	43066	thrust pad
7	4	13990	cylindrical head screw

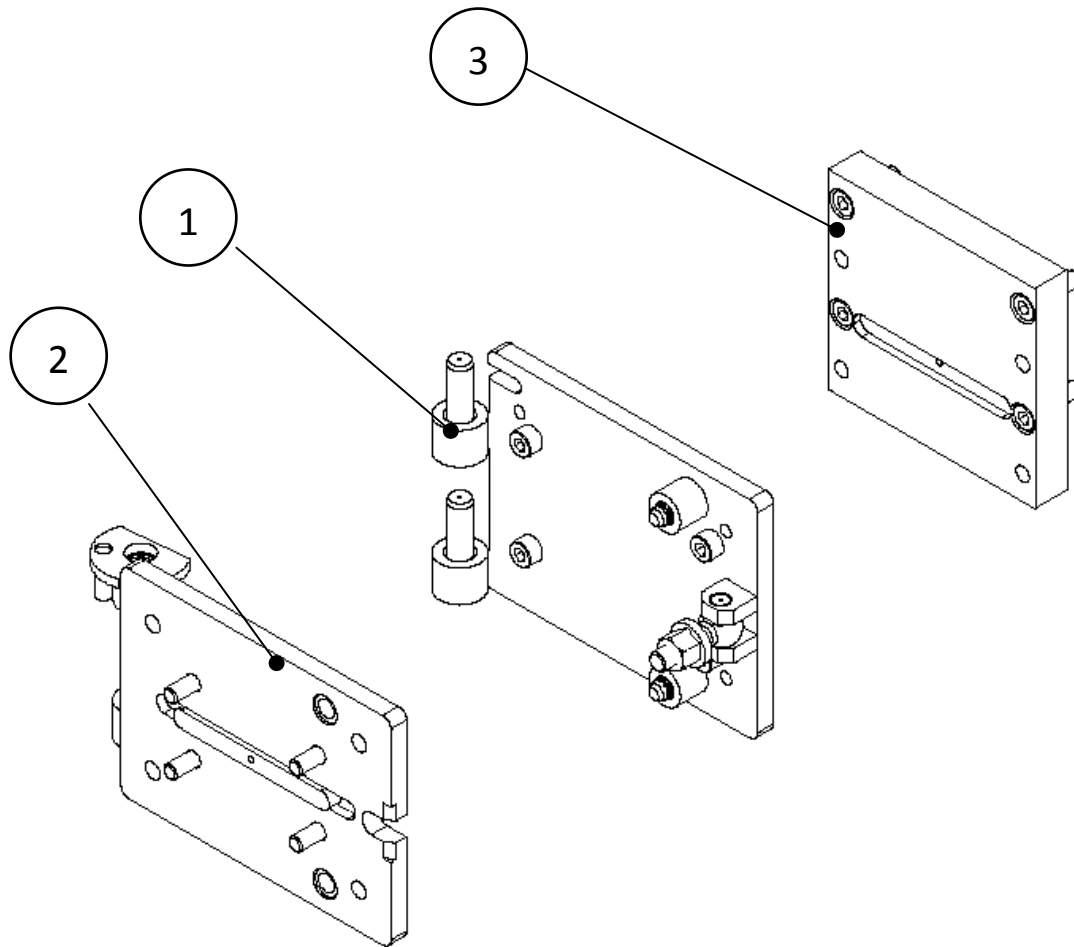
**Feinvorschub FVS-MH**

**Ident-Nr.:**

**30002**



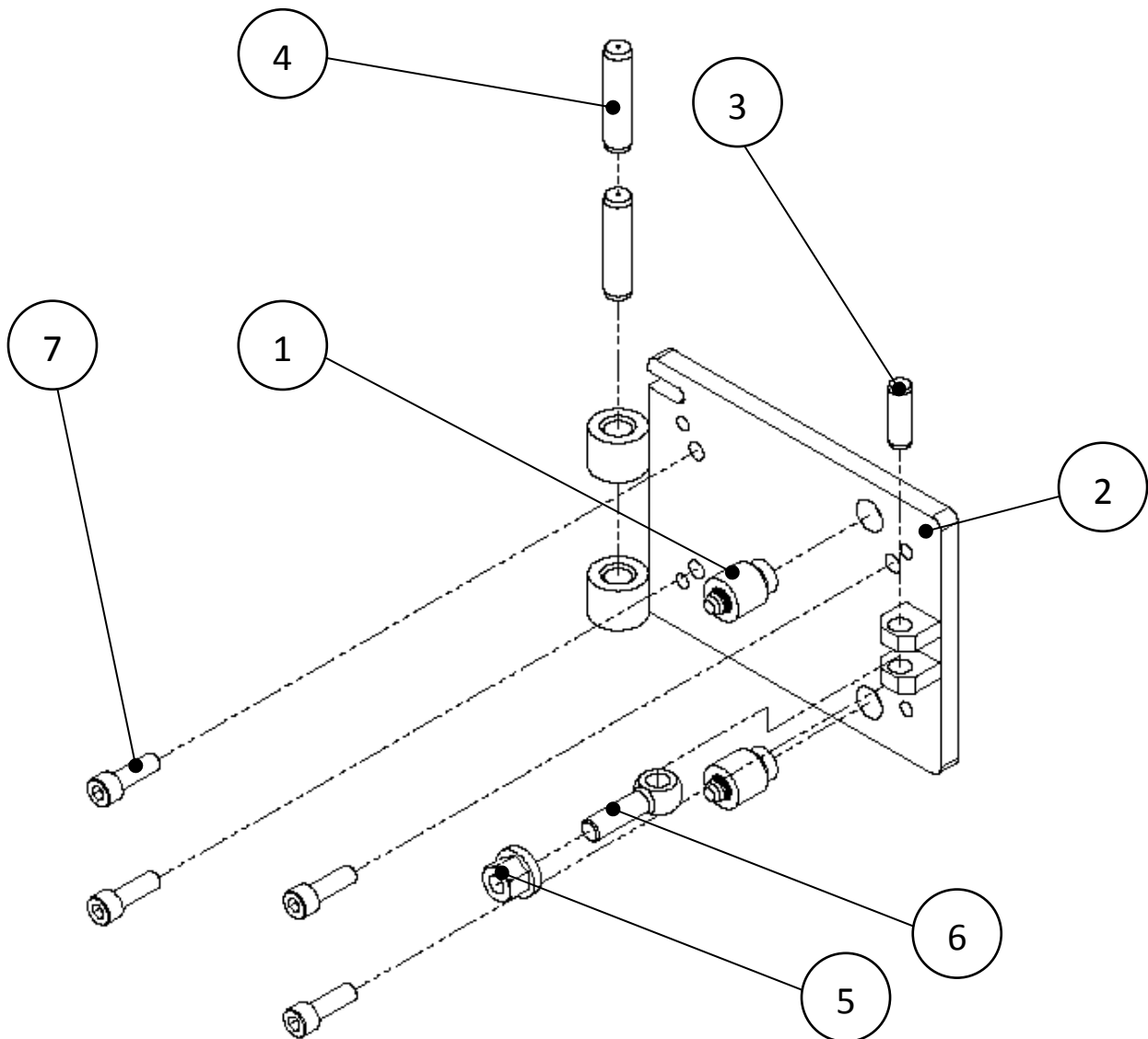
<b>Pos.-No.</b>	<b>Quantity</b>	<b>Ident-No.</b>	<b>Designation</b>
1	1	29737	square wave
2	1	29738	Flange
3	1	29334	worm gears
4	1	18312	DU-Socket
5	1	14248	thrust pad
6	1	14586	circlip
7	1	13979	cylindrical head screw
8	4	13952	cylindrical head screw
9	1	14281	support disc
10	1	11562	span pin
11	1	14816	feather



Pos.-No.	Quantity	Ident-No.	Designation
1	1	19738	cultivation plate motor side
2	1	19734	cultivation plate stator side
3	1	47273	distance plate

# Anbauplatte ständerseitig (MSK 1)

Ident-Nr.: 19734

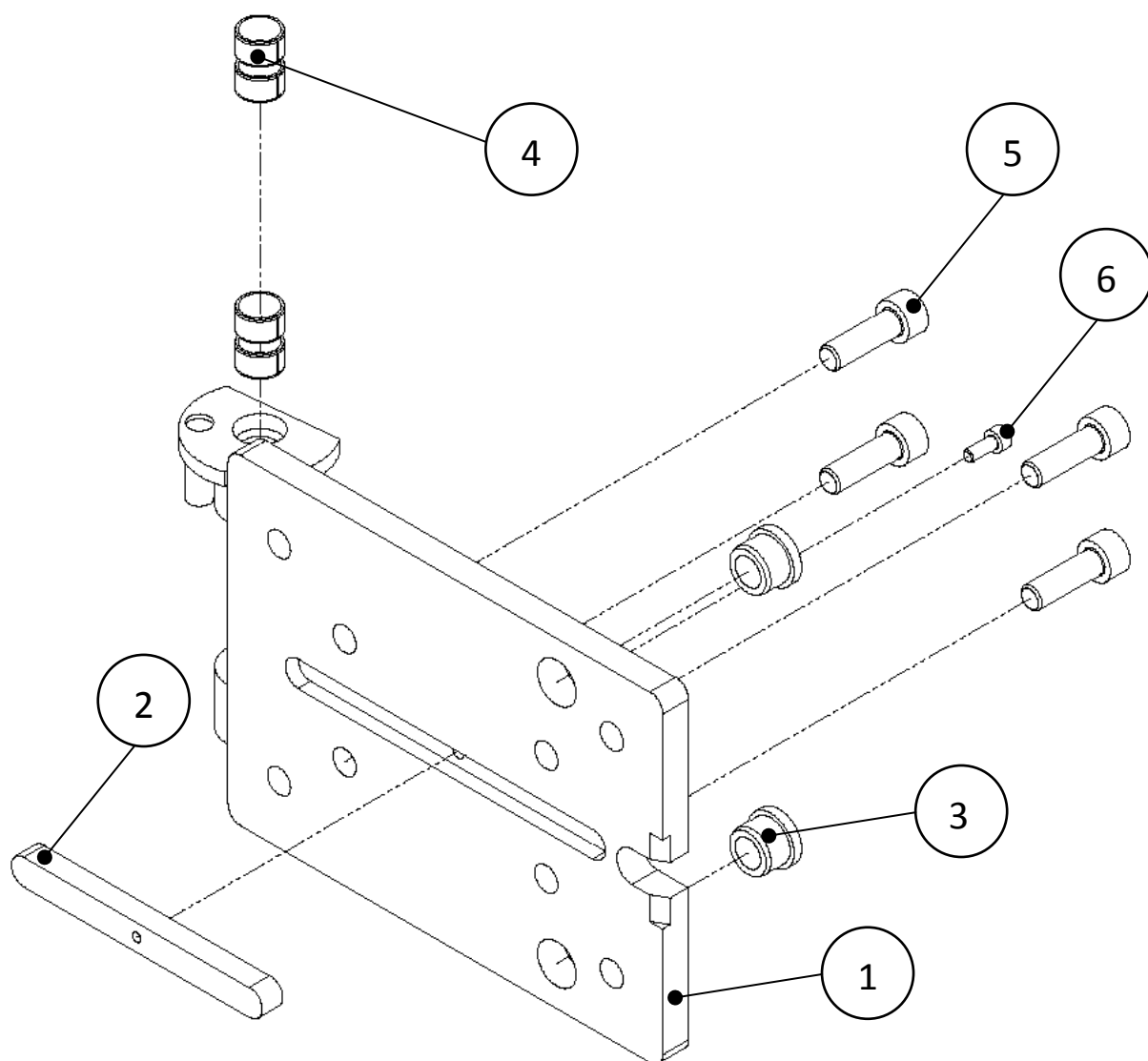


Pos.-No.	Quantity	Ident-No.	Designation
1	2	16500	centering bolt
2	1	16501	stator plate
3	1	11550	cylindrical pin
4	2	11553	cylindrical pin
5	1	14915	Hexagon nut
6	1	14252	eye screw
7	4	13988	eye screw



# Anbauplatte motorseitig (MSK 1)

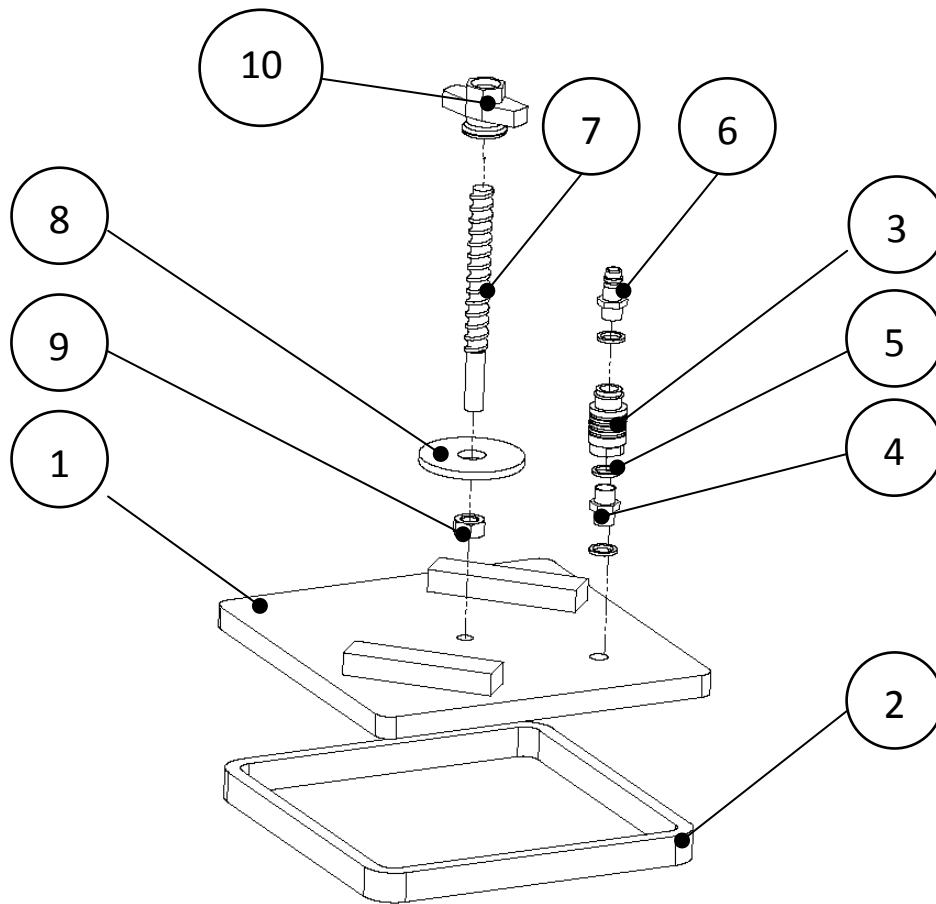
Ident-Nr.: 19738



Pos.-No.	Quantity	Ident-No.	Designation
1	1	26202	Motor plate
2	1	23653	feather
3	2	18348	drill socket
4	4	18312	DU socket
5	4	13988	cylindrical head screw
6	1	13943	cylindrical head screw

# Saugplatte

Ident-Nr.: 19659



Pos.-No.	Quantity	Ident-No.	Designation
1	1	23777	Vacuum plate
2	0,7m	23852	cellular rubber
3	1	14976	hand slide valve
4	1	14984	double threaded nipple
5	3	14682	sealing ring
6	1	14991	coupling plug
7	1	28374	cord threaded rod
8	1	14280	U-Disk
9	1	14907	hexagon nut
10	1	14939	wing nut